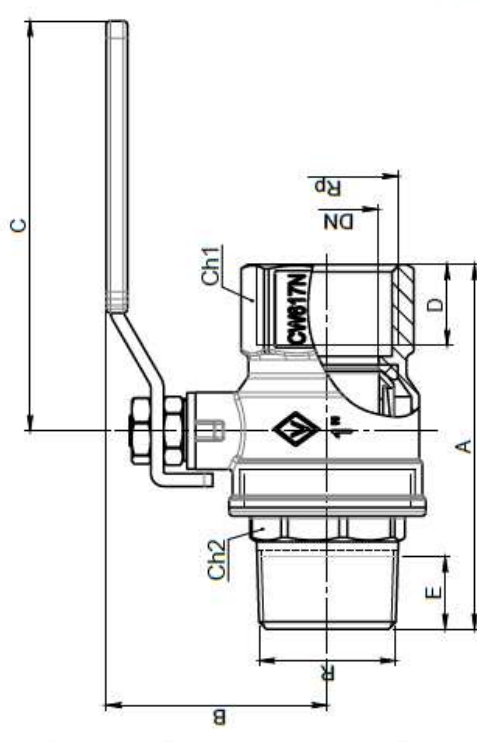
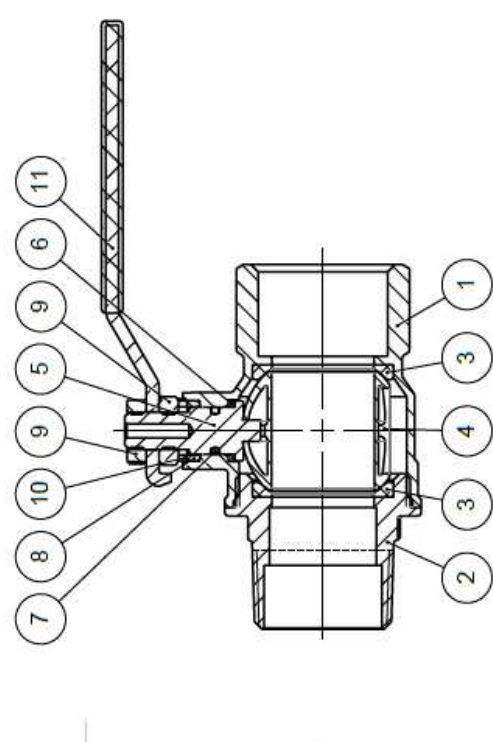


1 2 3 4 5 6 7 8



|   |                                   |
|---|-----------------------------------|
| <b>ART. 560G</b>  |                                   |
| <i>Forged brass ball valve, full port, M-F, with steel handle, Mis. from 1/2" to 2"</i> |                                   |
| <b>SPECIFICATION</b>  |                                   |
| Series  | 500                               |
| Thread ends   | Male-Female: UNI EN 10226         |
| Orifice   | from 15 to 50 mm                  |
| Actuator  | 90° rotation with mechanical stop |
| Operator  | Steel handle                      |
| <b>APPLICATION</b>  |                                   |
| Assembly in rigid pipe system   |                                   |
| Nominal pressure (PN) in bar: MOP5  |                                   |
| Direction of flow: as desired   |                                   |
| Temperature range: -20 °C / +60°C   |                                   |
| Use: Gas  |                                   |



| N° | Descrizione           | Description    | Materials | Treatment     | Q.ty |
|----|-----------------------|----------------|-----------|---------------|------|
| 1  | Corpo                 | Body           | CW617N    | Nickel-Plated | 1    |
| 2  | Manicotto             | End connection | CW617N    | Nickel-Plated | 1    |
| 3  | Guarnizione Sfera     | Ball Seal      | PTFE      |               | 2    |
| 4  | Sfera                 | Ball           | CW617N    | Ni+Cr         | 1    |
| 5  | Perno                 | Stem           | CW614N    |               | 1    |
| 6  | Guarnizione inferiore | Lower seal     | PTFE      |               | 1    |
| 7  | O-Ring                | O-Ring         | NBR       |               | 1    |
| 8  | Guarnizione superiore | Upper seal     | PTFE      |               | 1    |
| 9  | Dado                  | Nut            | STEEL     | Zinc-Plated   | 2    |
| 10 | Rondella              | Brass ring     | CW614N    |               | 1    |
| 11 | Leva                  | Handle         | STEEL P10 | Printed       | 1    |

|   |  |                      |  |                           |  |  |  |
|---|--|----------------------|--|---------------------------|--|--|--|
| Denominazione particolare / Name  |  | Formato / Format     |  | Cezzo / Forged Code       |  | Quale senza indicazione di lavorazione |  |
| ART. 560G   |  | A3                   |  | A3                        |  | MEDIA UNI-ISO 2768/1                   |  |
| Attenale / Material   |  | Scale / Scale        |  | Lavorato / Finished Code  |  | Rugosità Generale                      |  |
| CW617N  |  | 1:1                  |  | Trattato / Treaty Code    |  | General Roughness                      |  |
| Tratt. Superficiale / Surface Treat. / Tratt. Termico / Thermal Treat. / Serie / Project N° |  | Foglio / Tab.        |  | Valdo per / Available for |  | Rugosità Generale                      |  |
| Nickel-Plated   |  | 1/1                  |  | Produzione                |  | General Roughness                      |  |
| N° Disegno / Drawing N°   |  | Revisione / Revision |  | Peso / Weight             |  | Misura / Size                          |  |
|   |  | -                    |  | -                         |  | g 1/2"-2"                              |  |

| DN | R-Rp   | A     | B    | C    | D    | E    | Ch1 | Ch2 | KV   | PN   |
|----|--------|-------|------|------|------|------|-----|-----|------|------|
| 15 | 1/2"   | 67.5  | 40.5 | 85   | 15   | 13.5 | 25  | 22  | 16.3 | MOP5 |
| 20 | 3/4"   | 74.5  | 44   | 96.5 | 16.3 | 15   | 31  | 28  | 29.5 | MOP5 |
| 25 | 1"     | 86    | 53   | 96.5 | 19.1 | 18.5 | 38  | 35  | 43   | MOP5 |
| 32 | 1 1/4" | 102.5 | 60   | 120  | 21.4 | 19.1 | 47  | 43  | 89   | MOP5 |
| 40 | 1 1/2" | 111.5 | 66.5 | 120  | 21.4 | 19.1 | 54  | 49  | 230  | MOP5 |
| 50 | 2"     | 131.5 | 83   | 162  | 25.7 | 23.4 | 66  | 61  | 265  | MOP5 |

